

Belloccio®

"Feeling and Looking Beautiful"

USER
GUIDE

TURBINE
TANNING
SYSTEMS

MODEL
SERIES
T65, T75,
T85 & T200

This manual contains important safety warnings and equipment instructions. Please read it carefully before using the system and keep this manual for your reference

**SPRAY TAN
TRAINING VIDEO:**

Belloccio.com/video.html



TABLE OF CONTENTS

About DHA Tanning	1
How Your Turbo Tan™ Works	1
Assembly and Set-Up.....	2
Three Ways to Adjust the Spray	3
Quick-Connect Retrofit Kit.....	3
Belloccio Opulence™	4
Belloccio Pre-Tan™	4
Belloccio Pros-Tan™	4
Belloccio Extender Lotion™	4
Belloccio Booster Drops™	4
Nose Plugs.....	4
Respirators.....	4
The Application Process	5
	6
Finish The Job.....	6
	7
Safety: Please Read.....	7
Limited Warranty.....	8
Frequently Asked Questions	8
Belloccio G12, G12-QC & TAN G11 (Tanning Guns).....	9

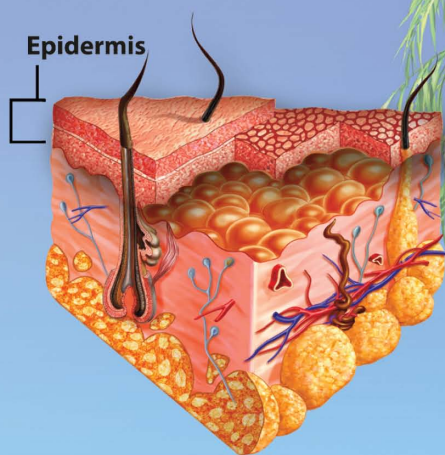
Belloccio®

"Feeling and Looking Beautiful"

ABOUT DHA TANNING

DHA is an FDA approved nontoxic product that is a safe, reliable means of tanning without the potential health risks associated with exposure to UVA and UVB rays from the sun or other methods of tanning the skin. It is declared safe and suitable for use in cosmetics and drugs used to color the skin. DHA is derived from glycerin (vegetable origin). DHA is not absorbed into the body and poses no possibility of toxicity

DHA reacts with the topical layer of the skin called the epidermis producing an attractive golden brown tan. After you have tanned with the sunless spray, keep your skin well moisturized, and you will have a tan that lasts 5-10 days. Maintain your tan by using the tan extender every 3 days and reapplying sunless tanning solution every 7-10 days - depending on how your tan fades.



HOW YOUR TURBO TAN™ SYSTEM WORKS

Plug it in, turn it on and the Turbo Tan System unit will provide continuous high volume clean air, perfect for tanning applications.

The HVLP (high air volume at low air pressure) application spray gun allows the air to flow through the nozzle and fully atomizes the tanning solution. The fine atomization of the spray allows you or your client to get an even spray flow, and best of all, an even tan.

Please take a minute to read all the instructions to properly understand the equipment.



Belloccio®

"Feeling and Looking Beautiful"

QUICK-START ASSEMBLY FOR TURBO TAN SYSTEMS

No tools required

For: Turbo Tan Premium T75, Turbo Tan Ultra T85,

- (1) Start by simply sliding the twist lock end of the air hose onto the Turbine Unit's Air Outlet and lock it into place with a firm twist.
- (2) Thread the solution cup onto the gun.
- (3) Next, attach the other end of the air hose tightly into the air inlet of the spray gun.
- (4) Clip both ends of the shoulder harness to the Turbine. That's it for assembly.

**For the Systems with "Quick Connect":
Turbo Tan Premium Plus T75-QC,
Turbo Tan Ultra Pro T85-QC,
Salon Pro (T200-12) & Salon Pro Plus (T200-11)**

- (1) Start by pulling back the "sleeve" on the "coupler" attached to the machine.
- (2) Then insert the "plug" from the hose directly into the coupler, and release the sleeve. Repeat #1 to remove the hose.
- (3) Thread the solution cup onto the gun. Make sure that the cup is on tight to avoid leaking.
- (4) Next, attach the gun to the hose - pull back the "sleeve" on the hose and insert the "plug" located on the end of the gun.
- (5) Clip both ends of the shoulder harness to the Turbine. (*Salon Pro does not have a harness.*)

T75



T85



Quick Connect



T85-QC



**Salon Pro (T200-12)
Salon Pro Plus (T200-11)**



THREE WAYS TO ADJUST THE SPRAY



1. When the spray gun air cap is set up horizontal to the gun body it generates a full oval spray fan pattern that is vertical to the spray gun body, which is ideal for side to side spraying.



2. When the spray gun air cap is set up vertical to the gun body it generates a full oval spray fan pattern that is horizontal to the spray gun body, which is ideal for top to bottom spraying.

(This is the most commonly used setting.)



3. When the spray gun air cap is turned to a 45 degree angle to the gun body it generates a circle spray pattern that is better for spot spraying or use in tight areas.

Quick-Connect Retrofit Kit Available (Part# TAN QC-RETRO) Converts the T75 or T85 Cuff Fit Connection Tanning Systems over to a Quick-Connect Coupler Connection



1. Push the "Plug" inside the G12 Gun Body
2. Connect the "Coupler" to the Turbine
3. Connect the "Coupler" on the hose to the "Plug" on the gun.
4. Connect the "Plug" on the hose to the "Coupler" on the turbine.



BELLOCCIO SUNLESS TANNING SOLUTIONS AND ACCESSORIES

Solutions are available at www.Belloccio.com or in 4 oz., Pints, Quarts, Half Gallons and Gallons. Solutions should be stored in a cool environment.

BELLOCCIO OPULENCE™ A superior DHA tanning solution that works with any skin type and provides an accelerated full salon-quality tan within 4 hours. Opulence is infused with BananaFruit Prime that significantly improves color intensity and increases speed of coloration, plus Vegetan Premium that speeds up the production of Melanin, which therefore accelerates the tanning process and delivers a quicker, more intense color for a beautiful natural looking tan. The skin-firming formula with highly concentrated antioxidant ingredients revitalizes, tightens and moisturizes the skin.



BELLOCCIO PRE-TAN™ Prepares your skin to receive the ideal sunless tanning experience. A powerful exfoliate removes excess skin cells, oils from sweat, deodorant, and makeup, all of which can result in uneven tanning. It includes moisturizing and healing elements to help the skin tan completely and evenly.



BELLOCCIO POST-TAN™ Increases the effectiveness of a sunless spray tan by combining an eco-certified dihydroxyacetone (DHA) booster and the most powerful reparative elements available



BELLOCCIO EXTENDER LOTION™ Light, quick-drying face and body moisturizing lotion leaves your skin soft and hydrated. It extends your tan with DHA and Vitamin E. It adds CoQ10 and hyaluronic acid to diminish wrinkles and improve skin moisturization. Use after showering or before bed. Belloccio Extender Lotiton is effective and pleasant.



BELLOCCIO BOOSTER DROPS™ One 1/2oz. bottle is enough to intensify over 25 complete airbrush tans. Six drops per 2oz = 1% DHA. Works well with all airbrush and HVLP-Spray Tan Solutions.



NOSE PLUGS - For your clients: the nose plug keeps air passages clean and free of tanning spray. One size fits all, disposable, and the breathable foam makes them comfortable to wear. TAN TT-NF-10



RESPIRATORS - For Professionals: when you tan others, protect your air passages with a respirator. This set comes with 10 units that can be used several times each. It is a lightweight, two-strap filtering face piece respirator for cool comfort plus an adjustable nose clip. NIOSH approved. MMM 7185.



BELLOCCIO TURBO TAN: THE APPLICATION PROCEDURE

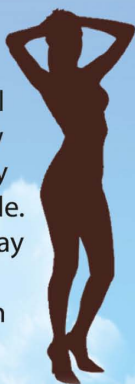
Set up the equipment - whether you are mobile or your clients come to you, always be prepared with all items of service you provide. Having disposable products (1) sticky feet, (2) thongs, (3) bras and (4) caps provide an extra service that helps you stand out from your competition. The tent (5) makes your client comfortable and will take care of any overspray. Belloccio's Pre-Tan (6) will appropriately exfoliate your client's skin.



1. To begin the tanning application, start with the client's back facing you. Tan the back first to see the color on the skin, then cover the rest of the backside (do not go below ankle). Once there is an even coat on part 1, ask the client to turn 90 degrees so that the side of the body is now facing you.



2. Have the client lift their arm up to tan the side of the body. You will start spraying right below the armpit and all the way down the leg to their ankle. Then bring arm down away from the body to tan the top of the arm. After, turn palm of the



hand face up towards the ceiling to spray on the inner arm (because this part of the skin is lighter, a lighter layer of solution is ideal). Now have the client twist their arm the opposite way so the palm again is facing the ceiling. You will then spray the outer side of the arm avoiding direct spray on the elbow. Repeat these steps for the other side of the body.



3. Time to tan the front of the body. Start below the chest and work your way down the body in a straight line. You will tan the stomach and front of the legs avoiding the top of the feet and any direct spray on the knees. Once you have applied solution to the front of the body, make sure you have fully sprayed the legs with solution as well. Have the client turn out both legs to spray the inner part of the leg not going below the ankle.



BELLOCCIO TURBO TAN : THE APPLICATION PROCESS

3. (Continued)

The last step is to tan the face and chest. It's best to only spray one layer of solution on the face. Putting too much solution on the face can be a big mistake and a "tell" that sunless tanning products have been used. Remember the key to a great sunless tan is for people not to know it is a "sunless tan" in the first place. The remaining spray from the face will also fall onto the neck and chest making your job almost complete. Double check to make sure the chest has been sprayed evenly and has had only one layer of tanning solution applied.

4. Now that the tan is almost completed, double-check your work for evenness and hit any spots that the tanning solution missed. Here are a few places to double check for missed application:

- Have the client face you and put their arms at a 90 degree angle in front of their body to check the inner arm. If application is even, then have them lift their arms directly up and back to see the upper inner arm area that may have been missed.
- Have your client slightly bend straight forward to avoid any tan lines at the very top of the leg.
- To complete the tan, carefully check parts of the body such as the wrists and ankles where the tan may not be even. Use a moist cloth or paper towel and blend the solution into the skin.



BELLOCCIO TURBO TAN : FINISH THE JOB

Your Turbo Tan System requires very little cleaning, service or maintenance. **After finishing your last client for the day:** (1) Rinse the gun's fluid cup with clear water, and then spray the cleaning solution through the gun into a sink until the tanning solution has been washed from the fluid passage of the gun.



BELLOCCIO TURBO TAN: FINISH THE JOB (con't.)

(2) Examine the front nozzle of the gun to ensure that there is no buildup. If necessary, clean the nozzle with the cleaning solution and a small brush.

(3) Next, remove the fluid cup and spray until only dry air comes from the gun.

It is not necessary to empty and clean your spray gun when you pause between applications. **Be sure, however, to clean your spray gun thoroughly at the end of your work session.** It is a bad idea to leave solution in your spray gun overnight.



SAFETY: PLEASE READ THIS SECTION BEFORE USING THE EQUIPMENT

This tanning system is not designed for spraying flammable materials, therefore they should not be used as they can cause fire or explosion hazards.

- **Always** spray in a well-ventilated area.
- **Always** keep turbine system hose at maximum length to avoid hose damage from kinks.
- **Always** keep the turbine air pump unit behind the operator to avoid spraying directly into the turbine air pump.
- **Never** alter or modify any part of this equipment; doing so can cause equipment malfunction and/or bodily injury.
- **Never** cover or enclose the turbine pump unit. It is important to draw cool/ambient air through the unit for optimum performance.
- **Make sure** that the electric current you are connecting to is the same as your unit (110/120 U.S. Volt).
- **DO NOT** attempt to connect the unit to the wrong electric current as this will not only damage your unit but also void your warranty.
- **Caution:** To reduce the risk of electric shock, do not expose to water. Be certain that substances which evaporate during use, such as solvents, are not sucked up by the system.
- **Never** leave spray equipment unattended. Keep equipment away from children or any people not familiar with spray equipment.

LIMITED WARRANTY

What is covered and for how long?

We are confident that your Turbo Tan Tanning System components will perform well and therefore warrant to you, as the original purchaser, for a period of two years from the date of original purchase, that your system will be free of mechanical and electrical defects in material and workmanship.

What we will do and how to get service?

If your system is covered during the warranty period, we will repair or replace (at our option) the necessary component(s) of your system without cost to you, which will be your exclusive remedy under this warranty. Please call technical support (858-909-2120) for an "RGA" (returns goods authorization) so your return can be properly identified. Then, simply send the system or components postage prepaid and insured, with proof of purchase and a short description of the problem directly to our service center at the following address: Turbo Tan Systems - 6695 Rasha Street - San Diego, CA 92121.

Technical support is available at 858-909-2120 from 6:30 am to 5 pm, Monday through Friday, Pacific Time.

What is not covered?

Our warranty for your product will not cover normal wear of parts, damage resulting from negligent use or misuse of the product, use of improper voltage or current, use contrary to operating instructions, or disassembly, repair or alteration by any person other than our service personnel. It also does not cover consumables. Any implied warranty of merchantability or fitness for a particular purpose on your system is limited to the duration of this written warranty. We shall not be liable for any incidental or consequential damages for breach of any express or implied warranty on your system.

FREQUENTLY ASKED QUESTION

Is this product harmful to my skin? No. The active ingredient in tanning solution is dihydroxyacetone, or DHA. DHA has been used in cosmetic preparations for almost 30 years. In addition to its skin darkening abilities, DHA is also used as an emulsifier, humectant and fungicide. It is always wise to use nose plugs for clients and respirators for professionals (see page 4).

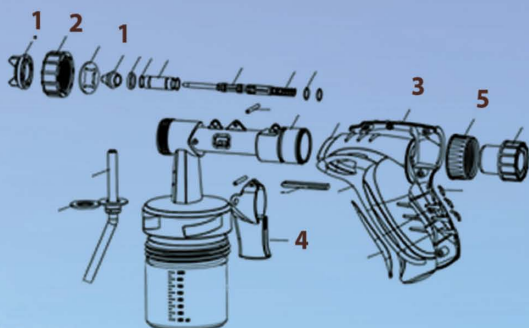
Is this the BEST way to tan without the sun? Yes. According to the American Academy of Dermatology, the most effective products available are sunless or self-tanning products that contain dihydroxyacetone (DHA) as the active ingredient. DHA is a colorless sugar that interacts with the outer layer of skin called the epidermis. As the sugar interacts with the skin cells, a color change occurs. This change usually lasts about five to seven days or more from the initial application. DHA is not absorbed into the body and poses no possibility of toxicity.

Belloccio®

"Feeling and Looking Beautiful"

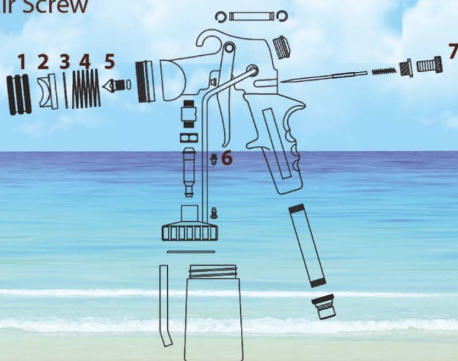
G12 & G12-QC (Quick Connect) TANNING GUN

1. Air Cap and Nozzle
2. Air Cap Retaining Ring
3. Tanning Gun Body
4. Trigger
5. Fluid Adjustment Dial



TAN G11 (Tanning Gun)

1. Air Cap Retainer
2. Air Cap
3. Position Piece
4. Nozzle Spring
5. Nozzle
6. Trigger
7. Air Screw



Belloccio®

"Feeling and Looking Beautiful"

Mailing Address:
Turbo Tan
Attn: Support Dept.
6695 Rasha Street
San Diego, CA 92121-2241

Live Support Hotline

Select the number from the list below:
(858) 909-2120 (Internet Sales and Orders)
(858) 909-2120 (Technical and Product Information Support Line)
(858) 909-2158 (Fax)

Para asistencia en Español favor de llamar
al tel: (858) 909-2151

Products Available at:
www.belloccio.com and www.turbotan.com

Belloccio®

"Feeling and Looking Beautiful"

*Sunless airbrush tanning is amazing, and it is only half of the equation!
Consider the Belloccio personal airbrush makeup system. It's fast, easy,
flawless and it delivers the red carpet glamour look at home!*

www.belloccio.com

