



**SAFETY & OPERATING
INSTRUCTION MANUAL**

Part #: KUS P5050

350W



**4" DUAL HEAD RANDOM
ORBIT POLISHER**

Variable Speed Dual-Action Polisher with 2 - 4" Grip Plates

PROP 65 WARNING:

This product contains a chemical known to the state of California to cause cancer and birth defects or other reproductive harm.

Responsible disposal

This symbol indicates that this product should not be disposed of with general household waste. This applies throughout the entire EU. In order to prevent any harm to the environment or health hazards caused by incorrect waste disposal, the product must be handed in for recycling so that the material can be disposed of in a responsible manner. When recycling your product, take it to your local collection facility or contact the place of purchase. They will ensure that the product is disposed of in an environmentally sound manner.



Technical specifications

Voltage	120V, 60 Hz
Wattage	350W
No-load speed	Variable speed control: 1600–3500 rpm (no-load)
Action	Oscillating
Backing pad	2" x 4" (95mm) with hook-and-loop backing
Polishing pad	Recommended size: 4" (95mm) with hook-and-loop backing

We make every effort to assure that its products meet high quality and durability standards, and warrants to the original purchaser that this product is free from defects in materials and workmanship for the period of one year from the date of purchase. This warranty will not apply to damage due directly or indirectly, to misuse, abuse, negligence or accidents, repairs or alterations outside our facilities, criminal activity, improper installation, normal wear and tear, or to lack of maintenance. We shall in no event be liable for death, injuries to persons or property, or for incidental, contingent, special or consequential damages arising from the use of our product. Some states do not allow the exclusion or limitation of incidental or consequential damages, so the above limitation of exclusion may not apply to you.

Custom Shop Customer Service contact: (619) 909-2110,
support@tcpglobal.com

THIS WARRANTY IS EXPRESSLY IN LIEU OF ALL OTHER WARRANTIES, EXPRESS OR IMPLIED, INCLUDING THE WARRANTIES OF MERCHANTABILITY AND FITNESS.

To take advantage of this warranty, the product or part must be returned to us with transportation charges prepaid. Proof of purchase date and an explanation of the complaint must accompany the merchandise. The polisher's serial number must also be intact. If our inspection verifies the defect, we will either repair or replace the product at our election or we may elect to refund the purchase price if we cannot readily and quickly provide you with a replacement. We will return repaired products at our expense. If we determine there is no defect, or that the defect resulted from causes not within the scope of our warranty, then you must bear the cost of returning the product. This warranty gives you specific legal rights and you may also have other rights which varies from state to state.

Visit us at www.TCPGlobal.com/Detailing/Custom-Shop-Detailing
for all your auto detailing needs

1. Unplug the polisher and fit polishing sponges onto the backing pads. Only use clean and undamaged polishing sponges and change them if you change the type of polishing compound. Most polishing sponges are washable, so it is a good idea to have a few of them handy for washing and reusing.

2. Apply polishing compound to the polishing sponges. Begin by applying a small amount of polishing compound. Do NOT spread polishing compound onto the surface to be polished.



3. Place the mains lead of the polisher over your shoulder to keep it out of the way during polishing. **Note:** Hold the polisher in both hands so that the polishing sponges rest on the surface to be polished and begin polishing at the lowest speed setting. Use light pressure while moving the polisher in an up and down motion over the surface to be polished. Keep the polisher moving at all times, as paint finishes can be ruined if polishers are left rotating in one spot for too long. **Note:** The mains lead should not be bent to such an extent that there is a risk for breakage.

4. Intricate surfaces such as wing mirrors, door handles and grilles should be hand-polished.

- The most common mistake made when polishing is the use of too much polishing compound. Soaking the polishing sponges/pads with polish will make polishing more difficult and increase the polishing time. Using too much polish will also shorten the useful life of the polishing sponges/pads.
- If you notice that the polishing sponge detaches itself from the backing pad during polishing, you have probably used too much polishing compound.

Maintenance

- Disconnect the plug from the power source before making any adjustments or servicing.
- Always store the polisher with the backing pads facing up to prevent them from deforming.
- Remove the polishing sponges from the backing pads.
- Wash the polishing sponges by hand and let them air dry.
- Never use abrasive cleaning agents.
- Clean the exterior of the polisher using a lightly moistened cloth along with a mild detergent.
- Do not use the polisher in the rain or if you have wet hands.
- Ensure that the ventilation openings are kept clear to prevent the motor from overheating.
- When working in dusty conditions: First disconnect the polisher from the mains supply and then clear the ventilation openings of any dust and debris.

Car Polisher

Model P5050

Please read the entire instruction manual before using the product and then save it for future reference. We reserve the right for any errors in text or images and any necessary changes made to technical data. In the event of technical problems or other queries, please contact our Customer Services (see address details on the back).

Safety

General safety instructions for power tools

Warning: Read all the instructions.

Failure to adhere to the following instructions may lead to electric shocks, fires and/or serious injury.

SAVE THESE INSTRUCTIONS.

The term "power tool" in the following text refers to your handheld mains operated or battery operated tool.

1) Work area safety

- a) **Keep the work area clean and well illuminated.** Cluttered and poorly lit areas invite accidents.
- b) **Do not use power tools in explosive environments, such as in the presence of flammable liquids, gases or dust.** Power tools create sparks which may ignite dust or fumes.
- c) **Keep children and other bystanders away from the area where you are using the power tool.** Distractions can cause you to lose your concentration and control.

2) Electrical safety

- a) **The plug of the power tool must fit correctly into the wall socket. Never modify the plug in any way. Never use an adaptor plug together with earthed power tools.** Unmodified plugs and matching outlets will reduce the risk of electric shocks.
- b) **Avoid physical contact with earthed objects such as pipes, radiators, ovens and refrigerators.** There is an increased risk of electric shock if your body is earthed.
- c) **Do not expose the power tool to rain or other wet conditions.** Water entering a power tool will increase the risk of electric shock.

- d) **Do not abuse the mains lead. Never use the lead for carrying, pulling or unplugging the power tool. Keep the lead away from heat, oil, sharp edges and moving parts.** Damaged or tangled leads increase the risk of electric shock.
- e) **When using power tools outdoors, use an extension lead that is suitable for this purpose.** The use of an extension lead designed for outdoor use decreases the risk of electric shocks.
- f) **If using the power tool in a wet environment is unavoidable, a wall socket equipped with a portable residual current device (PRCD) should be used.** Use of an RCD significantly reduces the risk of electric shock.

3) Personal safety

- a) **Pay attention to what you are doing and use common sense when using power tools. Never use power tools if you are tired or under the influence of drugs, alcohol or medication.** One moment of inattention while using a power tool may result in a serious injury.
- b) **Wear protective clothing. Always wear safety glasses.** Using protective clothing such as dust masks, non-slip safety shoes, helmets and ear defenders decreases the risk of injury.
- c) **Avoid accidental starts. Make sure that the power switch is set to OFF before plugging the power tool into a wall socket, fitting the battery or lifting/carrying the power tool.** Carrying a power tool with your finger on the power switch/trigger or connecting the power tool to a wall socket when the power switch is set to ON is inviting an accident.
- d) **Remove all service tools/keys before switching on the power tool.** A service tool left on a rotating part of the power tool may result in personal injury.
- e) **Do not overreach. Keep proper footing and balance at all times.** This enables better control of the power tool in unexpected situations.
- f) **Wear suitable clothing. Do not wear loose-fitting clothing or jewellery. Keep hair, clothes and gloves away from moving parts.** Loose-fitting clothes, jewellery or long hair could become caught in moving parts.
- g) **If equipment for the extraction and collection of dust is available, make sure it is connected and used properly.** Use of dust collection equipment can reduce dust related hazards.

4) Use and maintenance of the power tool

- a) **Do not force the power tool. Use the correct power tool for your application.** The correct power tool will do the job better and safer if used at the rate for which it was designed.
- b) **Never use the power tool if the power switch does not switch the tool on and off properly.** Any power tool that cannot be controlled by the power switch is dangerous and must be repaired.

Starting /Stopping

- Always hold the polisher in both hands and start and stop the polisher only when the polishing sponge is resting on the surface to be polished.
- Always start polishing on the lowest speed by setting the regulator (3) to **MIN** before sliding the power switch (4) forward.
- Switch the polisher off by sliding the power switch (4) backwards.

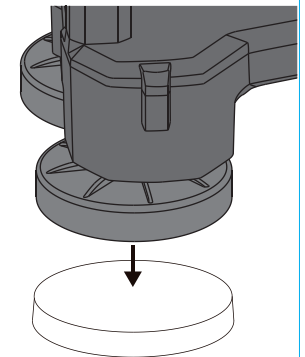
Variable speed control

Set the desired speed, from **MIN** to **6** (max), using the regulator (3). Always begin on the lowest speed (**MIN**) and increase during operation for the best results. When in doubt, test the polisher at different speeds on a test surface first, before starting actual work.

Changing polishing sponge/ buffing pad

The various accessories which can be used with the polisher are all referred to as polishing sponge below.

1. Unplug the polisher, remove the polishing sponges from the backing pads (7).
2. The polishing sponges should be mounted directly centred onto the backing pads. This is easiest to achieve by holding the polishing sponges from underneath and pressing the backing pads onto them from above. Fitting the polishing sponges in this way ensures that they are centred, i.e., that they protrude equally all the way round the edges of the backing pads.



Vibration level

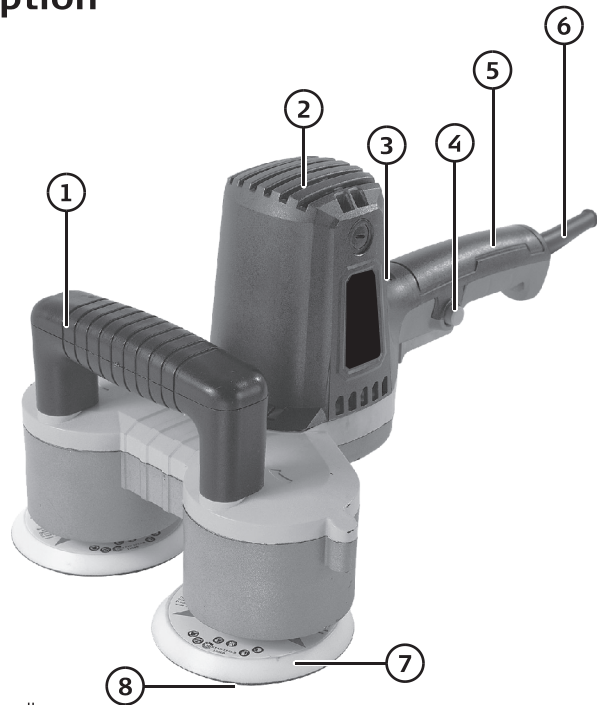
The polisher normally vibrates during use due to its oscillating rotation pattern. If the polisher vibrates excessively, check that the polishing sponges are correctly centred onto the backing pads. You may also try adjusting the speed until the polisher vibrates less.

Polishing

The various polishing products such as rubbing compound, finish cleaner, wax, polish, etc. are all referred to below as polishing compound.

- There are several types of polishing compound which can be used, but this polisher is designed for use with liquid polishing compound.
- Always read the instructions accompanying the polishing compound to ensure that it is suitable for use with a polishing machine.

Description



1. Front handle
2. Ventilation ports
3. Speed regulator
4. Power switch 1 on – 0 off
5. Rear handle
6. Power lead with plug
7. Backing pad 4" (95m) (2 x)
8. Polishing pads (2 x) (sold separately)

Before use

- Make sure that the polishing sponges (8) are securely attached to the backing pads.
- Make sure that the backing pads can be turned by hand.

Operating instructions

Note: Polishing sponges must be used for polishing and are sold separately (recommended size $\varnothing 100 \times 25$ mm with hook-and-loop backing).

Polishing bonnets with drawstrings are not recommended, but if you are using one: Do not allow any loose portion of the polishing bonnet or its attachment strings to spin freely.

- c) **Unplug the lead from the wall socket or remove the battery before making any adjustments, changing accessories or storing the power tool.** These precautions reduce the risk of the power tool starting unexpectedly.
- d) **Store power tools that are not being used out of children's reach. Do not allow people who are unfamiliar with the tool or these instructions to operate the tool.** Power tools are dangerous in the hands of untrained users.
- e) **Properly maintain your power tools. Check for misalignment, binding of moving parts, broken parts or anything else which might affect the proper operation of the power tool. If any damage is noticed, have the power tool repaired before using.** Many accidents are caused by poorly maintained power tools.
- f) **Keep cutting tools sharp and clean.** Properly maintained cutting tools with sharp cutting edges are less likely to bind and are easier to control.
- g) **Use the power tool, and any accessories in accordance with these instructions, take into consideration the working conditions and the work that is to be performed.** Use of the power tool for a purpose other than that for which it is intended could result in a dangerous situation.

5) Service

- a) **Repairs and service should only be performed by qualified tradesmen, and only with original spare parts.** This guarantees that the safety of the power tool is maintained.

Product safety symbols



Wear ear protection.



Read the entire instruction manual.



Wear eye protection.

Specific safety precautions for polishing

- Polishing bonnets with drawstrings are not recommended, but if you are using one: Do not allow any loose portion of the polishing bonnet or its attachment strings to spin freely. Tuck in or trim off any loose ends. Loose and spinning attachment strings can entangle your fingers or snag on the workpiece.
- This polisher is only intended for dry polishing.
- Only use the recommended parts and/or accessories.
- The polisher must not be used by persons under the age of 16 years.
- The polisher must not be used on materials containing asbestos.
- **This power tool is solely intended for the purpose of polishing. Read all safety warnings, instructions, illustrations, and specifications provided with this tool. Failure to adhere to all of the following instructions can result in electric shock, fire and/or serious injury.**
- **Operations such as grinding, sanding, wire brushing or cutting-off are not recommended to be performed with this power tool. The use of this power tool to perform tasks for which the tool was not intended, can lead to danger and personal injury.**
- **Never use accessories which are not designed for use with this type of tool and which are not recommended by the manufacturer. Even if the accessory can be attached to your power tool, there is no guarantee that it can be used safely.**
- **The rated speed of the accessory must at least correspond to the maximum rated speed of the power tool. Accessories which rotate faster than their rated speed can break and shatter.**
- **The outer diameter and thickness of the accessory must be within the marked capacity of your electric hand tool. If an accessory is the wrong size, it will not fit the guard and will not be able to be controlled properly.**
- **Do not use a defective accessory. Inspect the accessory and make sure there are no splits or cracks in the grinding wheels; cracks or wear and tear on the backing plates, loose or torn bristles on the steel brush wheels. If you drop your power tool or accessory, check for damage. If the accessory is damaged, use a new/ undamaged accessory. After inspecting the tool and attaching an accessory, keep yourself and others outside of the power tool danger zone and let it run at full speed for one minute. Damaged accessories will normally break during this test period.**
- **Wear personal safety equipment. Depending on how you use the machine; use a visor/face protection or safety glasses. If necessary use a mask, ear protection, gloves, and apron/work clothing to protect yourself from small metal shards or splinters ejected from the workpiece. Any eye protection used must be able to protect against flying debris produced by various work situations. Any used breathing protection should be capable of filtering any particles produced by the work. Prolonged exposure to high levels of noise can result in hearing damage.**
- **Keep children at a safe distance from the work area. Everyone at the workplace must wear personal safety equipment. Debris from the workpiece or from a damaged accessory can fly off and injure people outside of the immediate work area.**

- **Position the mains lead well away from the rotating accessory. If you lose control, the lead can be sliced through or become entangled and pull your hand or arm into the rotating accessory.**
- **Never put the power tool down before the accessory has completely stopped rotating. A rotating accessory can fasten on the work surface causing you to lose control of the tool.**
- **Never leave the power tool switched on while carrying it at your side. Accidental contact with the rotating accessory could snag your clothing, pulling the accessory into your body.**
- **Clean the motor ventilation ports regularly. The motor fan draws dust into the housing. A large build-up of metal dust particles can lead to electrical hazards.**
- **Do not use the power tool near flammable material. Sparks can easily ignite flammable material.**
- **Do not use accessories, which require liquid coolants.** The use of water or other liquid coolants can result in electrocution or shock.

Kickback and related warnings

- Kickback is a sudden reaction to a wedged or stuck wheel, backing plate, brush, or some other accessory. Pinching or snagging causes rapid stalling of the rotating accessory, which in turn results in the power tool thrusting violently in the opposite direction of the accessory's rotation at the point of binding.
- Kickbacks are the result of the power tool being used in an incorrect manner, on improper objects, or under improper conditions and can be avoided by observing the following precautions.
- **Hold the power tool firmly and position your arms and body so that you can resist any kickback forces. Always use the auxiliary handle, if there is one, for maximum control over kickback or torque reactions during start-up. The operator can control torque reactions or kickback forces, if proper precautions are taken.**
- **Never place your hand near the rotating accessory. The accessory can be thrown back onto your hand.**
- **Do not stand in the area, where the power tool is likely to end up if a kickback were to occur. Kickback will propel the tool in the opposite direction to the rotation of the wheel at the point of snagging.**
- **Be extra careful when working on corners, sharp edges, etc. Avoid bouncing and getting the accessory stuck. Corners, sharp edges, and bouncing have a tendency to get the rotating accessory stuck and lead to loss of control of the tool.**

Outdoor use

- If the polisher is used outdoors, it is recommended that it is plugged into a socket protected by a residual current device (RCD). The RCD should be rated to trip at a current of 30 mA.
- Only use cables and connectors designed for outdoor use.