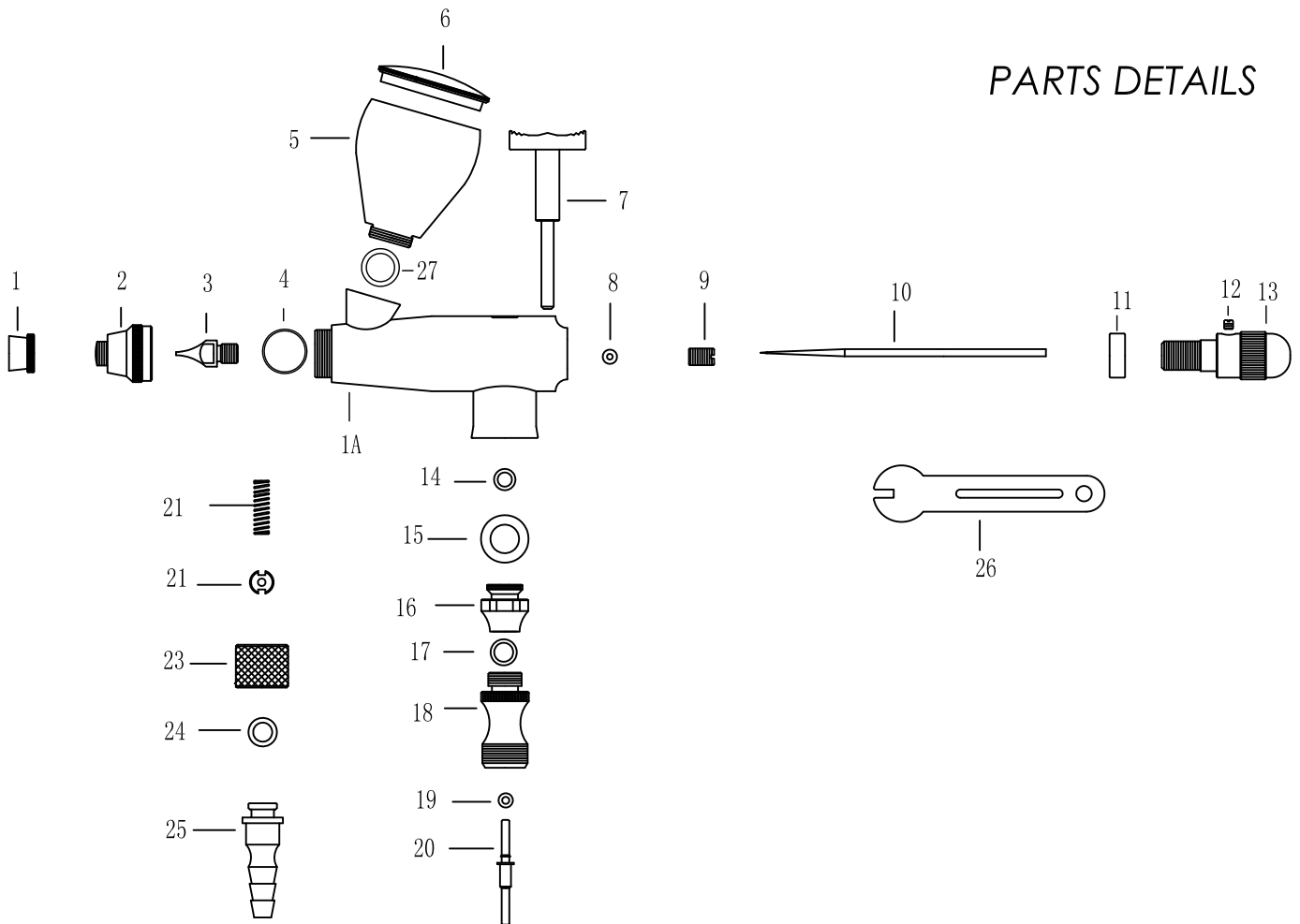


PARTS DETAILS



G36

#	Part Description	Part#	G36
1	Needle Cap		■
2	Nozzle Cap	0.3	■
3	Nozzle	0.3	■
4	O-Ring for Nozzle Cap		■
5	Color Cup		■
6	Lid for Color Cup		■
7	Operation Lever		■
1A	Airbrush Body		■
8	O-Ring for needle guide		■
9	Needle Guide		■
10	Needle	0.3	■
11	Filature		■
12	Bush		■
13	Adjusting Screw		■
14	O-Ring		■
15	O-Ring		■
16	Linker		■
17	O-Ring		■
18	Valve Body		■
19	Valve O-Ring		■
20	Valve Rod		■
21	Valve Rod Spring		■
22	Valve Screw		■
23	Hose Connector Nut		■
24	O-Ring		■
25	Hose Connector		■
26	Nozzle Spanner		■
27	O-Ring		■