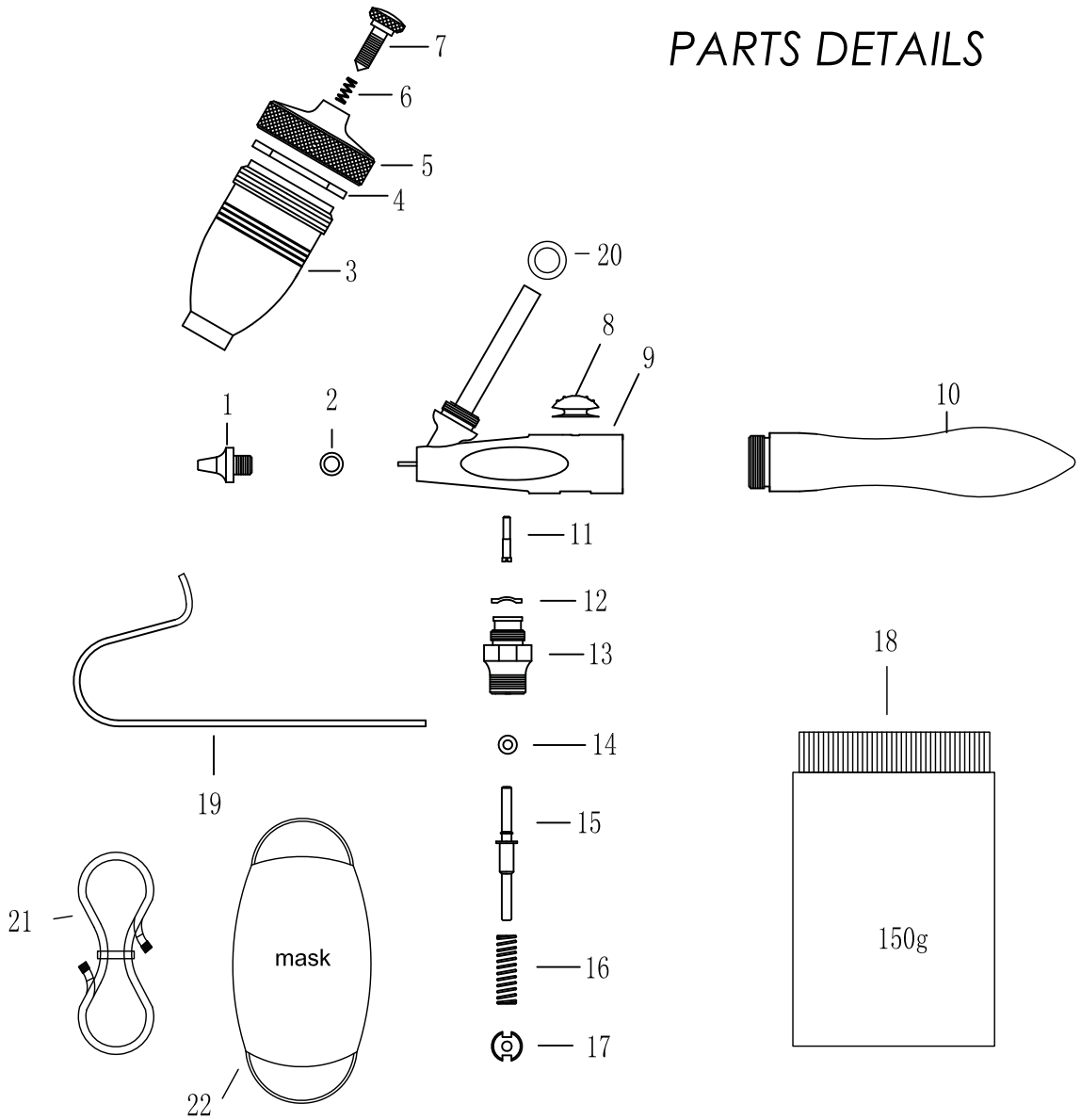


PARTS DETAILS



G78

#	Part Description	Part#	G78
1	Nozzle	0.5	■
2	O-Ring		■
3	cup		■
4	Seal Up		■
5	Cup Cover		■
6	Spring		■
7	Screw		■
8	Finger Button		■
9	Airbrush Body		■
10	Handle		■
11	Screw		■
12	O-Ring		■
13	Valve Body		■
14	O-Ring		■
15	Valve Plunger		■
16	Spring		■
17	Air Valve Nut		■
18	Sand		■
19	Metal hanger		■
20	O-Ring		■
21	AIR HOSE		■
22	MASK		■