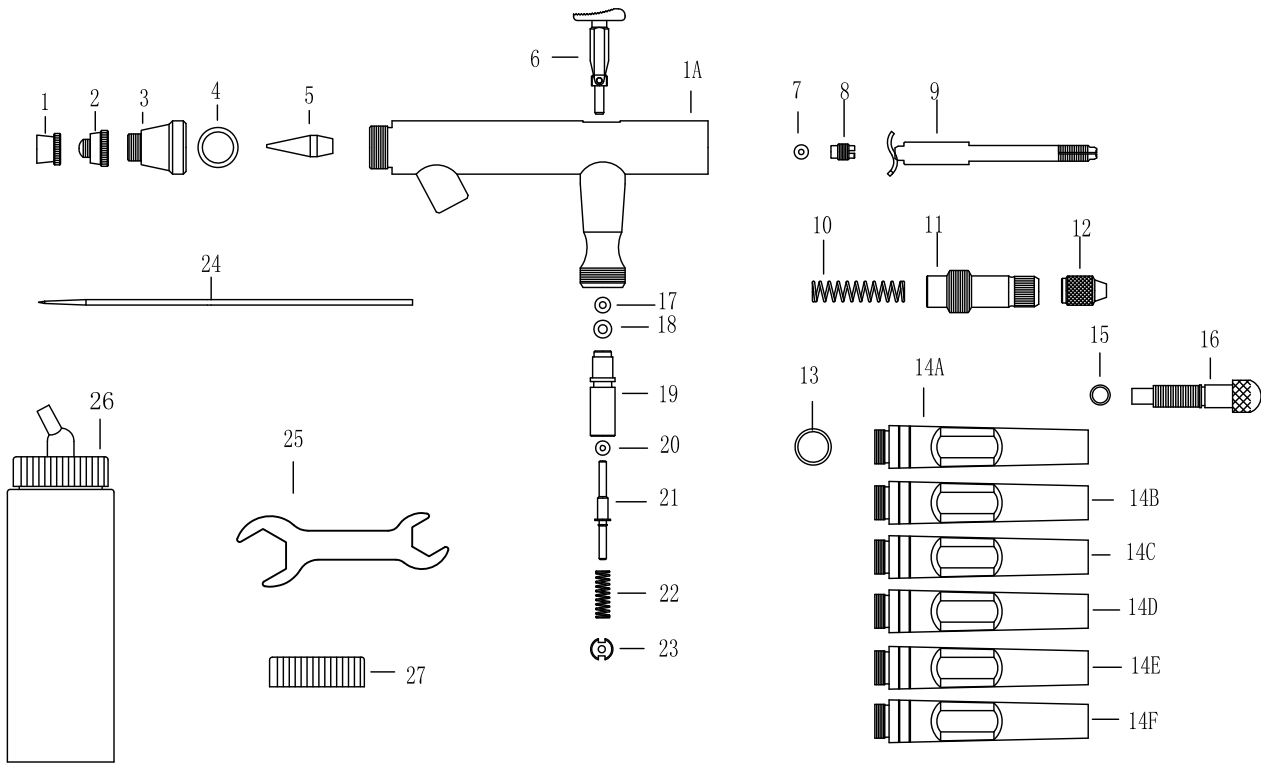


PARTS DETAILS



S69

#	Part Description	Part#	S69	QTY
1	Needle Cap		■	6
2	Nozzle Cap	0.3	■	6
3	Head Cap		■	6
4	O-Ring		■	6
5	Nozzle	0.3	■	6
6	Operation Lever		■	6
7	O-Ring for Needle Guide		■	6
8	Needle Guide		■	6
9	Needle Chucking Guide		■	6
10	Spring		■	6
11	Spring Case		■	6
12	Needle Chucking Net		■	6
13	O-Ring		■	6
14A	Standard-Handle Adjusting (Red)		■	6
14B	Standard-Handle Adjusting(Purple)		■	6
14C	Standard-Handle Adjusting(Green)		■	6
14D	Standard-Handle Adjusting(Golden yellow)		■	6
14E	Standard-Handle Adjusting(Blue)		■	6
14F	Standard-Handle Adjusting(lake Blue)		■	6
15	O-Ring		■	6
16	Adjusting Screw		■	6
17	O-Ring		■	6
18	O-Ring		■	6
19	Air valve Guide Body		■	6
20	Valve Rod O-Ring		■	6
21	Valve Rod		■	6
22	Valve Spring		■	6
23	Valve Screw		■	6
24	Needle	0.3	■	6
25	Head Cap Spanner		■	3
26	BD-08P plastic bottle		■	6
27	Plastic bottle cap		■	6