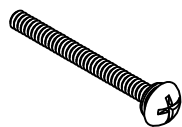


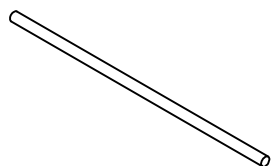
Assembling Instruction For HJ-15F

Hardware

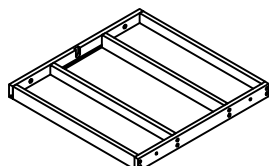


A*4

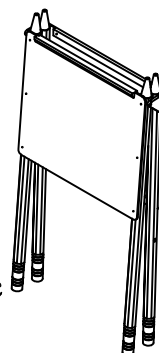
Components



1pc

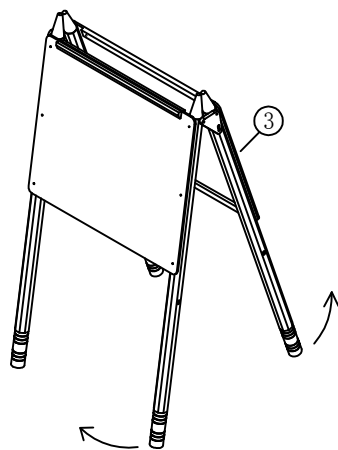


② 1pc

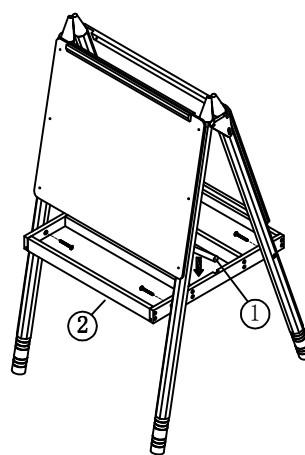


③ 1pc

①



②



③

