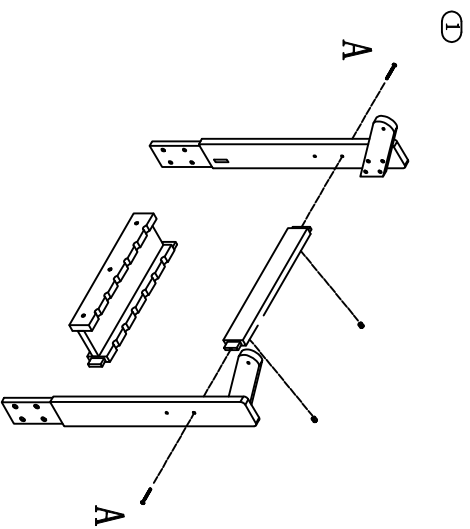
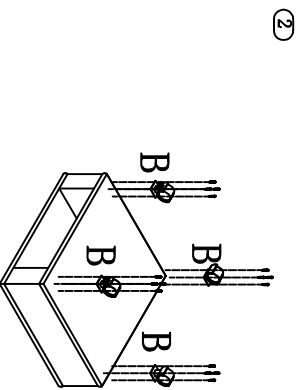


Assembling Instruction For W03

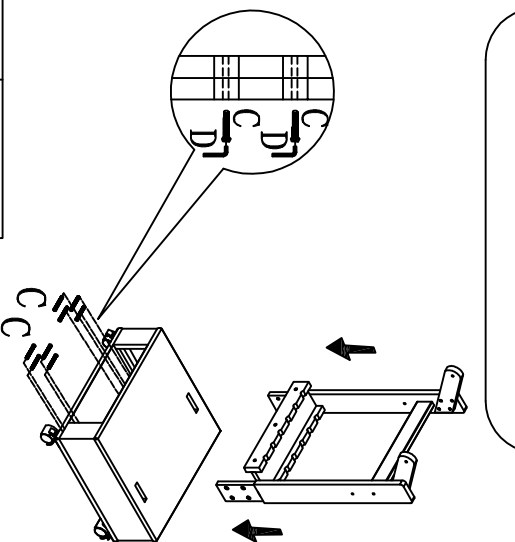
Assembling Steps



⊗ A*2

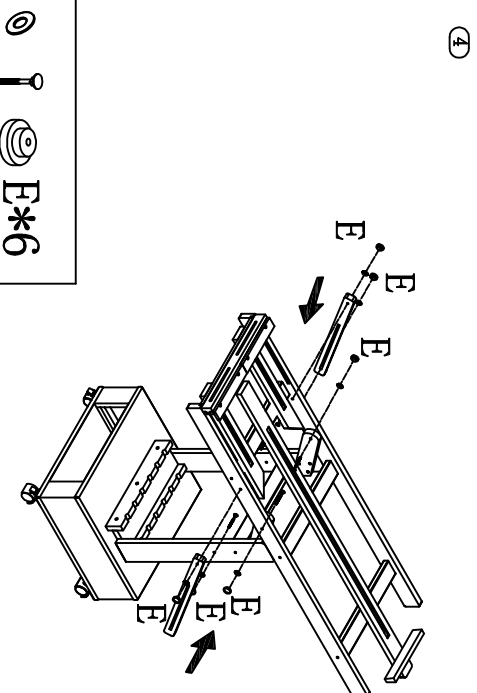


⊗ B*4



⊗ C*8

⌋ D*1



⊗ E*6

