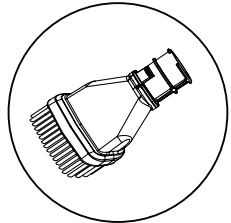
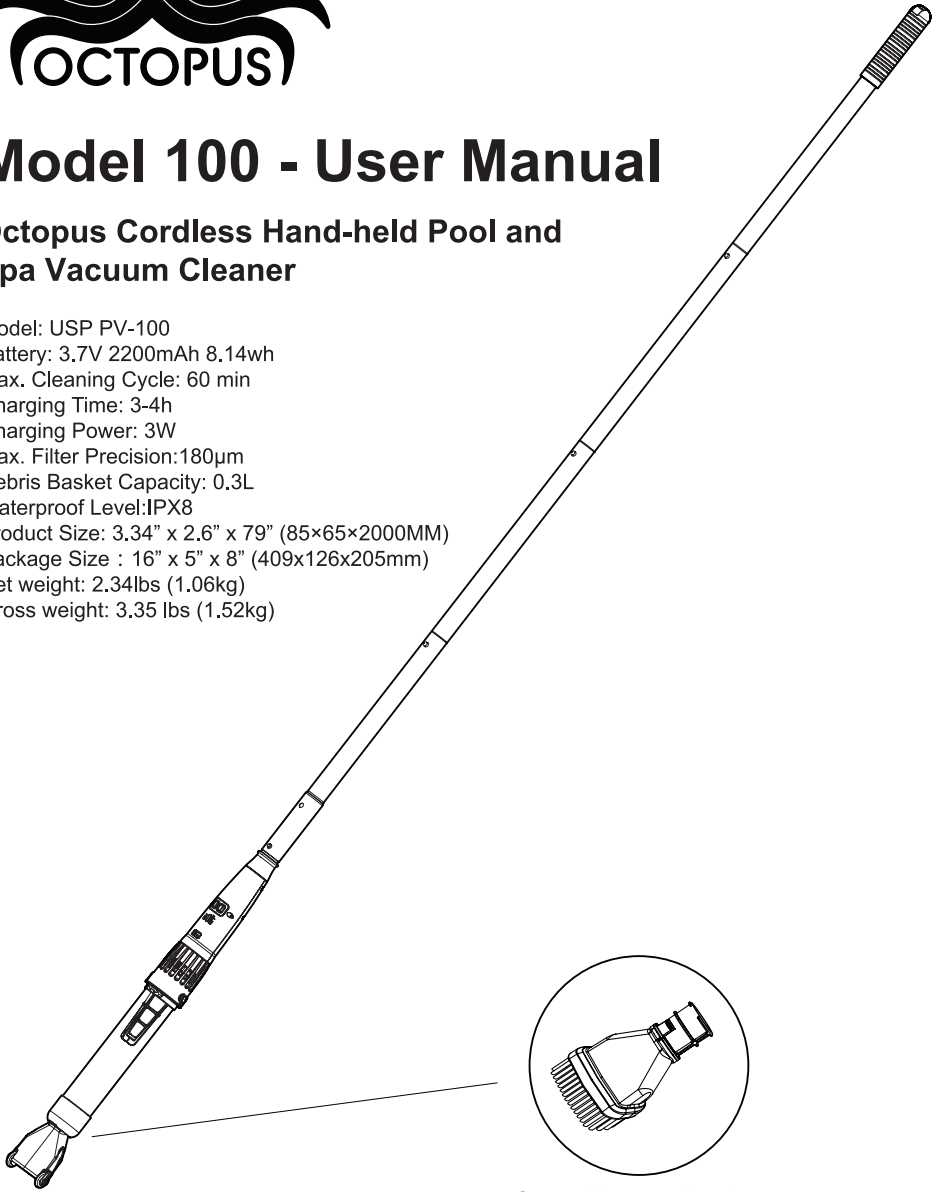


# Model 100 - User Manual

## Octopus Cordless Hand-held Pool and Spa Vacuum Cleaner

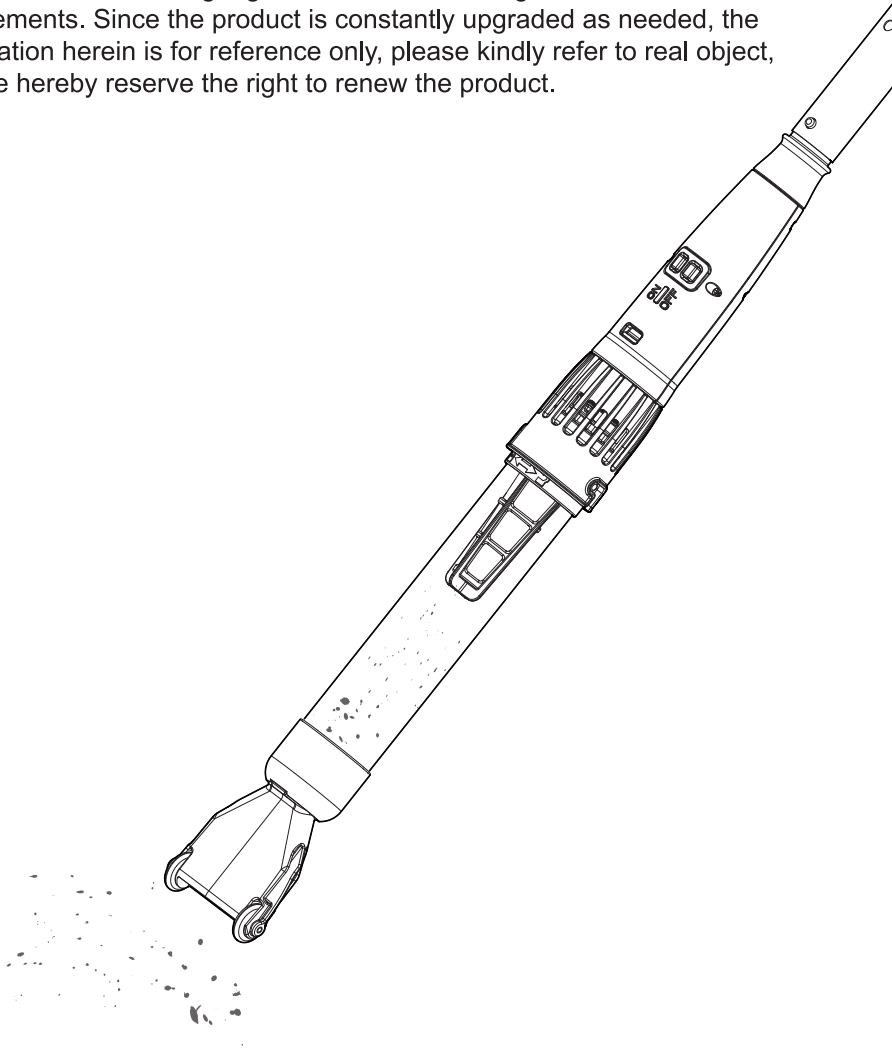
Model: USP PV-100  
Battery: 3.7V 2200mAh 8.14wh  
Max. Cleaning Cycle: 60 min  
Charging Time: 3-4h  
Charging Power: 3W  
Max. Filter Precision: 180µm  
Debris Basket Capacity: 0.3L  
Waterproof Level: IPX8  
Product Size: 3.34" x 2.6" x 79" (85x65x2000MM)  
Package Size : 16" x 5" x 8" (409x126x205mm)  
Net weight: 2.34lbs (1.06kg)  
Gross weight: 3.35 lbs (1.52kg)



Spare Vacuum Head

This manual contains important information to help you in operation and maintenance of this robot cleaner. Please keep it properly for future reference.

- ◆ Thank you for choosing our top-quality Hand-held Pool Vacuum Cleaner PV-100 Series manufactured by U.S Pool Supply.
- ◆ To achieve optimal performance, please read this user manual before using.
- ◆ If you encounter any problems while using to vacuum please contact the local after-sales service center and turn to the professionals for help.
- ◆ This manual is written by the manufacturer in English and can be translated into other languages to fulfill the local legal and commercial requirements. Since the product is constantly upgraded as needed, the information herein is for reference only, please kindly refer to real object, and we hereby reserve the right to renew the product.



## **Safety Warnings and Directions**

**Please read and follow all the instructions in this manual and the equipment usages so as not to cause serious damage to the product or the operator.**

### **⚠ Warning!**

- ◆ Please keep the robot cleaner and its accessories out of the reach of kids. Children under the age of 8 or people with mental problems are prohibited to use this product, if needed, the product must be operated under the supervision and guidance of a guardian.
- ◆ The product should be put into water for usage.
- ◆ Applicable depth of water: 18" to 79" (45-200cm)
- ◆ Applicable water temperature: 39.2° F (4° C) to 113° F (45° C)
- ◆ If you find any damage in the cleaner, please stop using it.
- ◆ If there is any damage in the components or accessories, please replace the damaged components in time with the components certified by the franchisers or manufacturers.
- ◆ Please turn off the cleaner before charge it.
- ◆ Please do not use the product when people or pets are in the water.
- ◆ Please do not use the cleaner to clean any poisonous or combustible objects or use it near explosives.
- ◆ Please do not disassemble the cleaner by yourself. For non-professional people, please do not disassemble the cleaner to replace the impeller, electric motor, and batteries.

### **USB Cable**

- ◆ Please only use a charger with USB interface at the output voltage of 5-18V.
- ◆ Please ensure the cleaner, USB cable and charger to be dry before the charge and refrain from charging it in a humid and high-temperature environment or near an open fire.
- ◆ If the charger has any damage, please stop using it.
- ◆ If the USB cable is damaged, please replace the components with those certified by franchisers or manufacturers.
- ◆ When you do not need the charger, please unplug it from electricity.

### **Caution!**

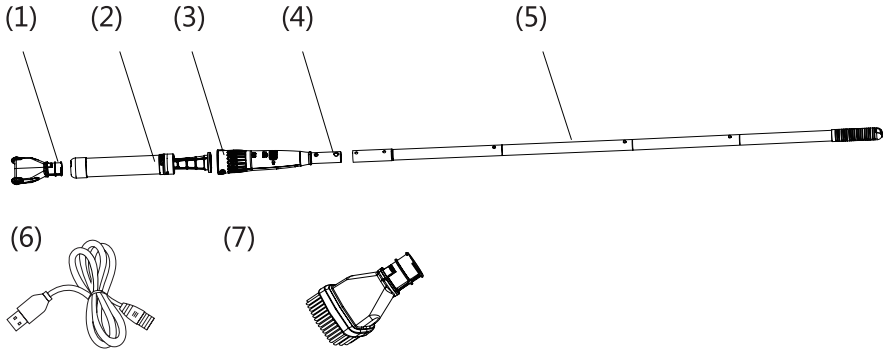
- ◆ Designated for underwater usage, please do not try to use it to clean any other places than the swimming pool and SPA.
- ◆ Please use the original components supplied by the product.
- ◆ It is not advised to use the product together with other cleaners.
- ◆ Please keep from using the product to clean sharp products in order not to damage the cleaner and the filter screen. Please put the cleaner in a well-ventilated, clean and dry room to charge.
- ◆ If you do not use the product for long, please dry it and store it a well-ventilated area away from direct sunshine and children. Please beware that each battery should be charged once every three months to keep it from being damaged.
- ◆ The above-mentioned warnings and precautions cannot prevent all risks or serious damages. The user should operate it carefully to avoid damage.

## Directions

### 1. Assembly of the product

#### 1.1 Assembly of components:

The main body: (1) Rolling vacuum head, (2) Debris capture chamber, (3) Filter, (4) Frame, (5) Linking rod. (6) USB cable, (7) Brushy vacuum head

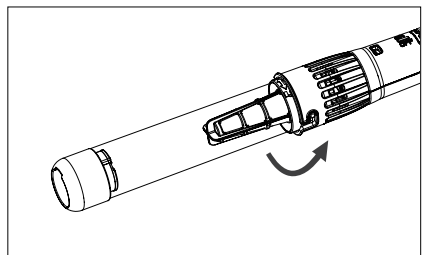
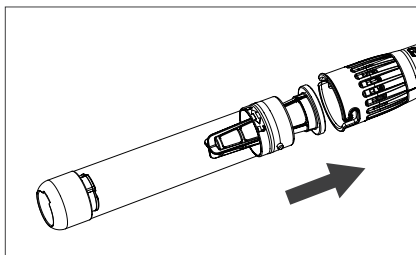


#### 1.2 Basic application

The product is designated for cleaning the swimming pool and SPA. If used improperly, the cleaner might be damaged, which will not be covered by the warranty.

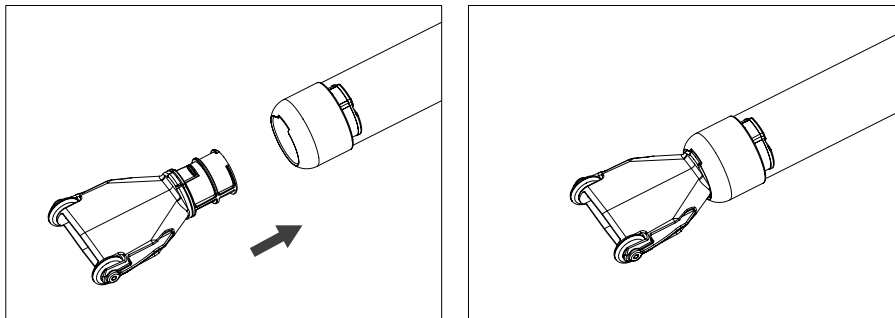
#### 1.3 Installation of the debris capture chamber and the filter

Please insert the filter and the debris capture chamber and turn them anticlockwise to get fastened.



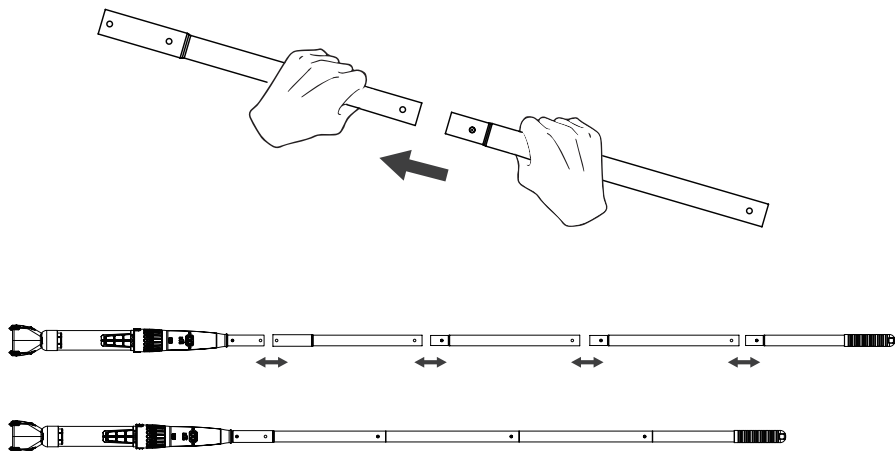
### 1.4 Installation of the vacuum head

Insert the vacuum head into the debris capture chamber with attention to the direction of the bulge.



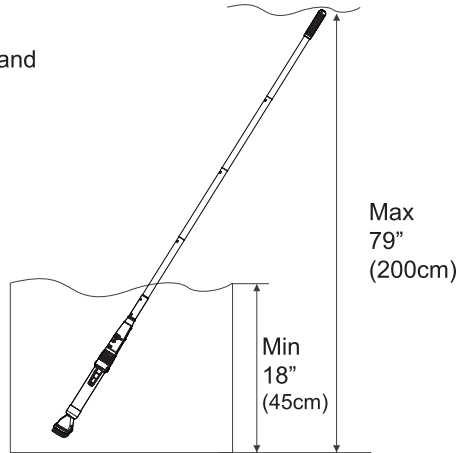
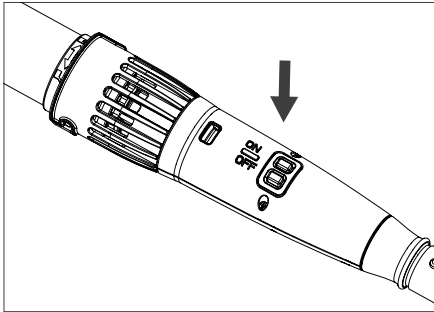
### 1.5 The linking rod

Assemble the aluminum pipes and connect them with the main body as shown in the picture.



### 1.6 ON-OFF Button

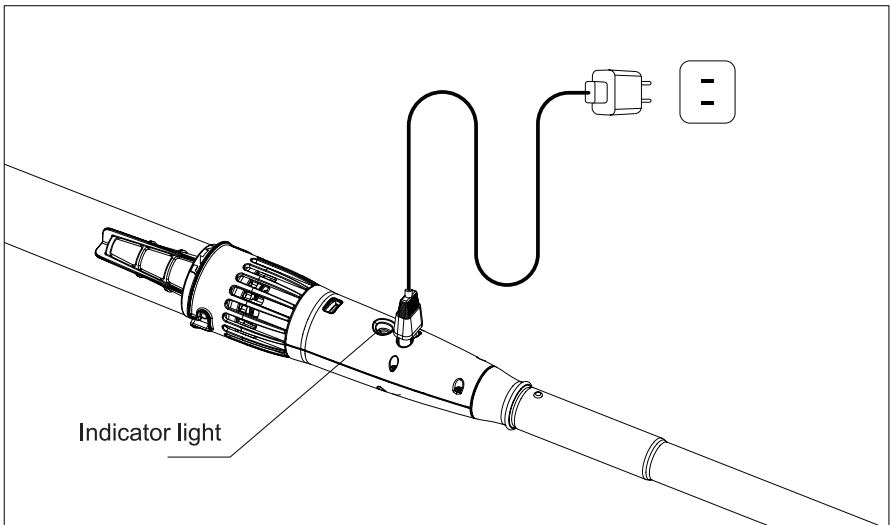
Press the "ON" button to turn the product on and press the "OFF" button to turn it off.



### 1.7 Charge

Connect it to a charger at the output voltage of 5-18V for charge as shown in the picture. The red light of the product will be on when it is charged and the blue light will be on when it is fully charged.

**Caution: The charger needs to be bought separately by the customer. Please ensure that the product is charged with a charger at suitable output voltage so as not to cause the product to be severely damaged.**



## 1.8 Common Trouble Shooting

Faults	Possible causes	Solutions
Out of operation	Power out	Recharge for use
	Battery damage	Contact after-sales service center for repair
Low suction power	Low battery	Recharge
	Clogged filter core	Clean filter core
	Motor malfunction	Contact after-sales service center for repair
Abnormal noise	Impeller damage	Contact after-sales service center for repair
Not rechargeable	Battery damage	Contact after-sales service center for repair
	Charger damage	Replace the charger
	USB cable damage	Contact after-sales service center for repair

## 1.9 Battery Disassembly and Recycling

- ◆ This robotic cleaner contains a non-replaceable battery
- ◆ The battery must be removed from the robotic cleaner before being scrapped.
- ◆ When removing the battery, disconnect the robotic cleaner from the power supply.
- ◆ The battery should be disposed of safely and sent to a professional recycling facility.

## 2.0 Product Recycling

- ◆ The product is classified into WEEE, so it cannot be disposed as household waste, mixture waste or single waste when reaching the end of its service life.
- ◆ The robot cleaner must be disposed in accordance with the local requirements, especially the electronic parts and components, which must be individually disposed by the special recycling center that is authorized to collect electronic wastes, or returned to the retailer in good condition when purchasing new products. Illegal disposal of WEEE will be fined according to the current laws of the local country.
- ◆ The hazardous substances in the electronic appliance pose a potential danger to the environment and human health, therefore the user plays an important role in recycling, please recycle the electronic wastes properly.
- ◆ The product package is made from recycling materials, which must be disposed in a sustainable way through the recognized recycling bins or specially authorized recycling center.
- ◆ Used battery contains hazardous substances to the environment and human health, thus it cannot be disposed as common household wastes.