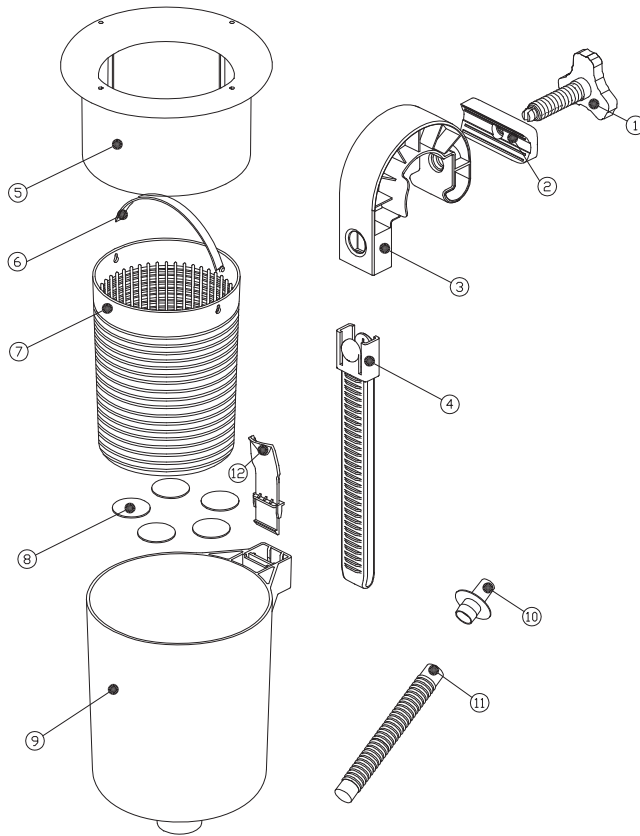
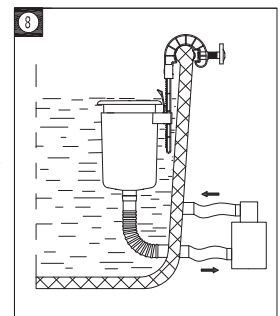
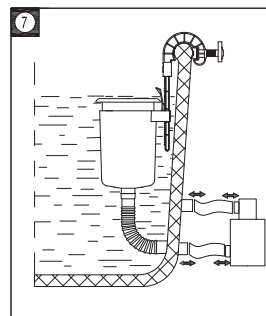
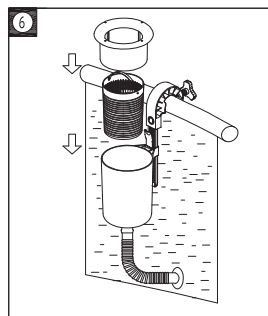
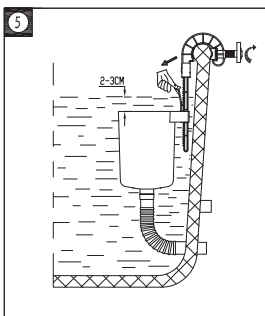
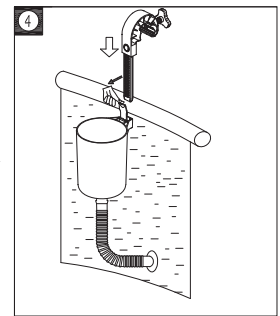
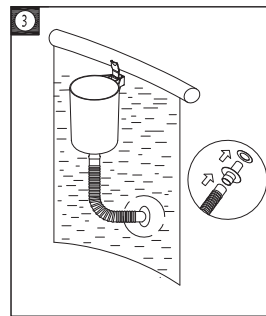
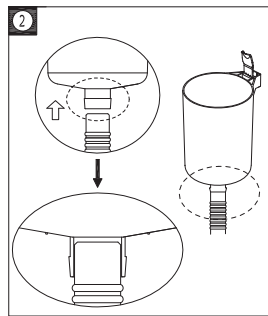
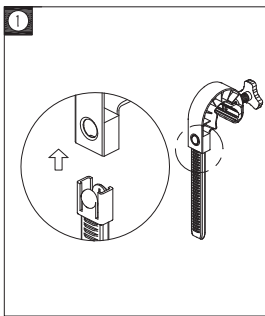


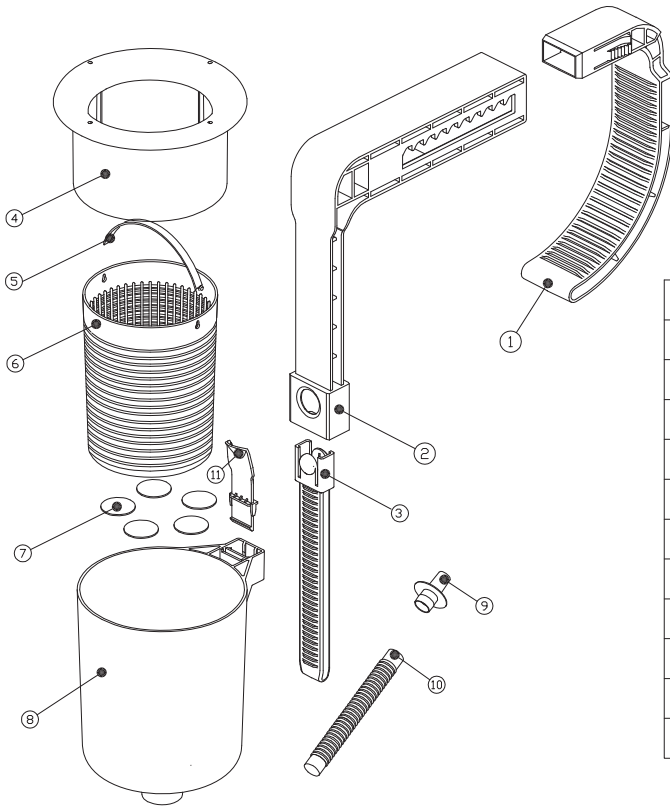
Setup Instructions
 For use in above-ground pools with a tubular or metal frame structure



No.	Part Name	Quantity
1		1
2		1
3		1
4		1
5		1
6		1
7		1
8		5
9		1
10		1
11		1
12		1



Setup Instructions
For use in above-ground pools with inflatable collars



No.	Part Name	Quantity
1		1
2		1
3		1
4		1
5		1
6		1
7		5
8		1
9		1
10		1
11		1

